

SPECIFICATIONS:

10 WATT COAXIAL TERMINATION

POWER RATING: 10 WATTS CW @ 40°C.
12 WATTS CW @ 25°C.

FREQUENCY RANGE & VSWR: DC TO 1GHz AT 1.10:1 MAX.
1GHz TO 4GHz AT 1.25:1 MAX.

CONNECTOR TYPE: BNC-MALE
IMPEDANCE: 50 OHMS, NOMINAL

AMBIENT TEMPERATURE RANGE: -40°C TO +40°C

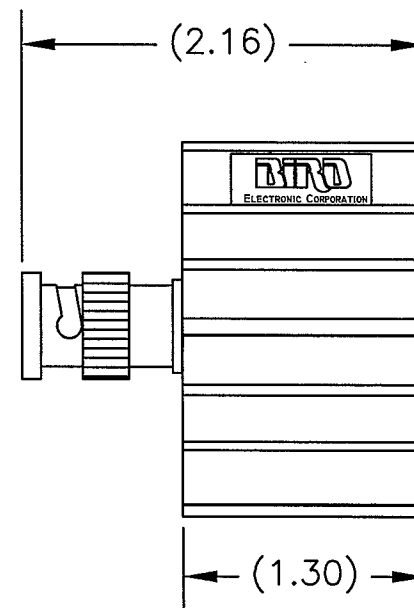
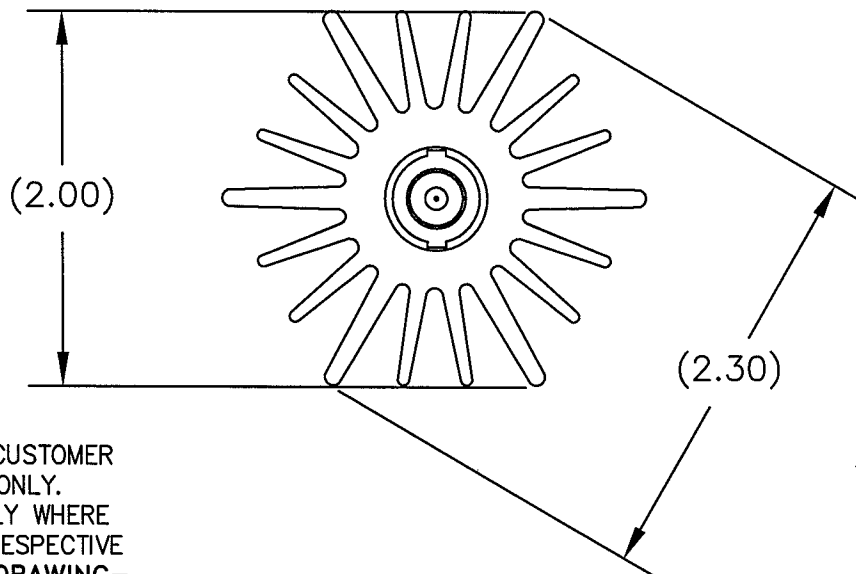
OPERATING POSITION: ANY

COOLANT: DRY (CONVECTION COOLED)

FINISH: BLACK ANODIZED COOLING FIN, SILVER OR TRI-ALLOY PLATED CONNECTOR
NOMINAL SIZE: APPROX. 2.16" L X 2.30" DIA. (WITH BNC-TYPE MALE CONNECTOR)

WEIGHT: APPROX. 3 OZ.

REVISIONS		DWG. NO.	10-T-MB	SHEET	REV
ZONE	REV	DESCRIPTION	DATE	APPROVED	
	A	ECN #0185	12-23-97	<i>MARV</i>	



DIMENSIONS HEREON ARE FOR CUSTOMER CONVENIENCE AND REFERENCE ONLY. TOLERANCE TO BE APPLIED ONLY WHERE INDIVIDUALLY STATED ON THE RESPECTIVE DIMENSION. -DO NOT SCALE DRAWING-

UNLESS OTHERWISE SPECIFIED DIMENSIONS ARE IN INCHES TOLERANCES ARE:

FRACTIONS DECIMALS ANGLES
± 1/64 .XX = ±.010 ± 30'
.XXX = ±.005

DO NOT SCALE DRAWING

MILLIMETERS
.X = ±.4
.XX = ±.12

THIS DRAWING IS THE PROPERTY OF THE BIRD ELECTRONIC CORPORATION. THE DESIGNS AND SPECIFICATIONS DISCLOSED HEREON ARE PROPRIETARY AND SHALL NOT BE REPRODUCED, NOR COPIED, NOR USED AS THE BASIS FOR THE MANUFACTURE OR SALE OF APPARATUS OR DEVICES WITHOUT THEIR EXPRESS WRITTEN CONSENT.



BIRD Electronic Corporation
Cleveland (Solon) Ohio USA

MATERIAL	APPROVALS		DATE	TITLE				
	DRAWN	D.M.RINK	4-3-03	FINAL ASS'Y, TERMINATION BNC-TYPE MALE, 10W				
FINISH	CHECKED			SIZE	FSCM NO.	DWG. NO.	REV	
	APPROVED	<i>MARV</i>	6-15-03	A	70998	10-T-MB	A	
			AUTOCAD	SCALE	1:1	COMM CODE	LD1	SHEET